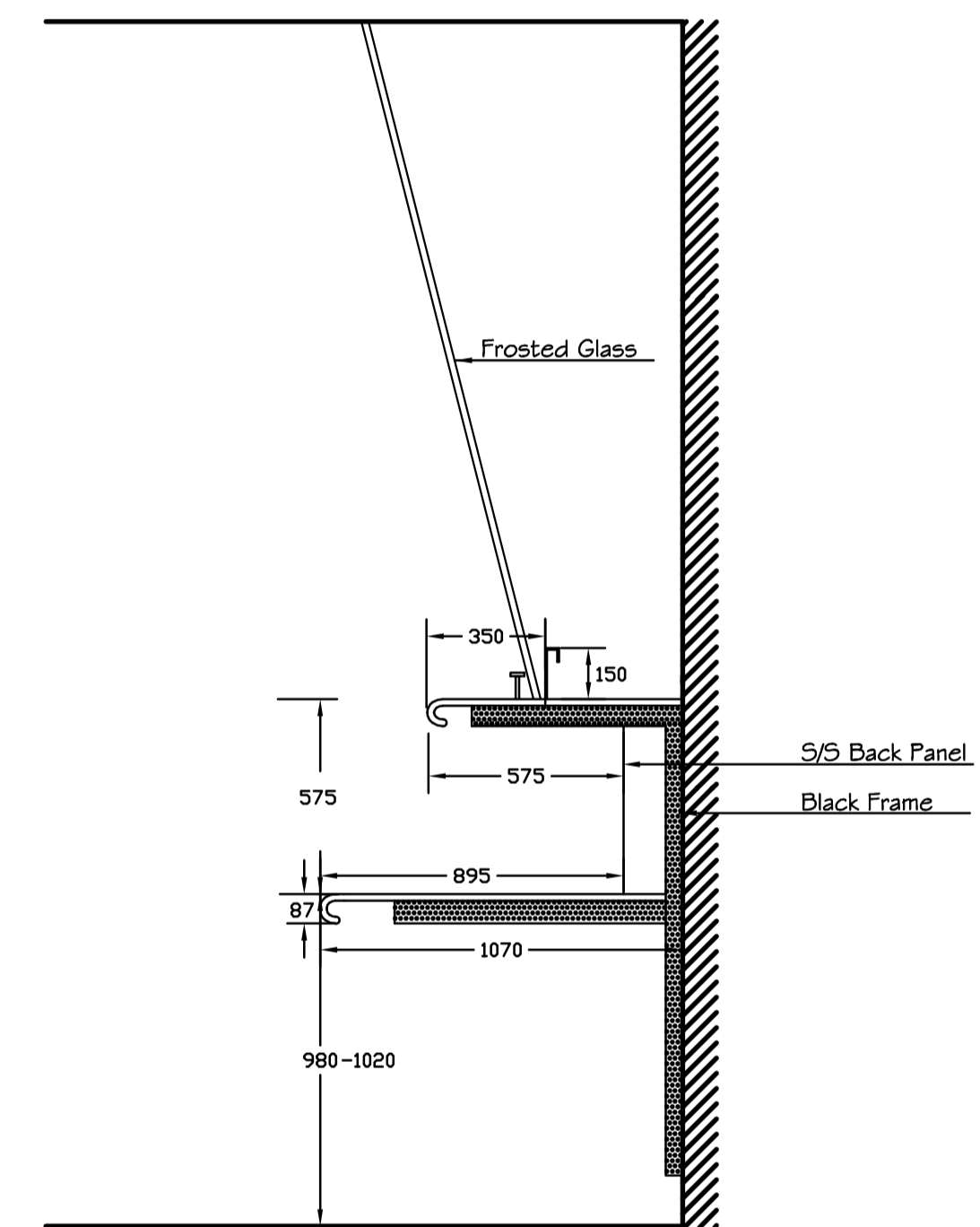


A-A FRONT ELEVATION

Change in Worktop Height

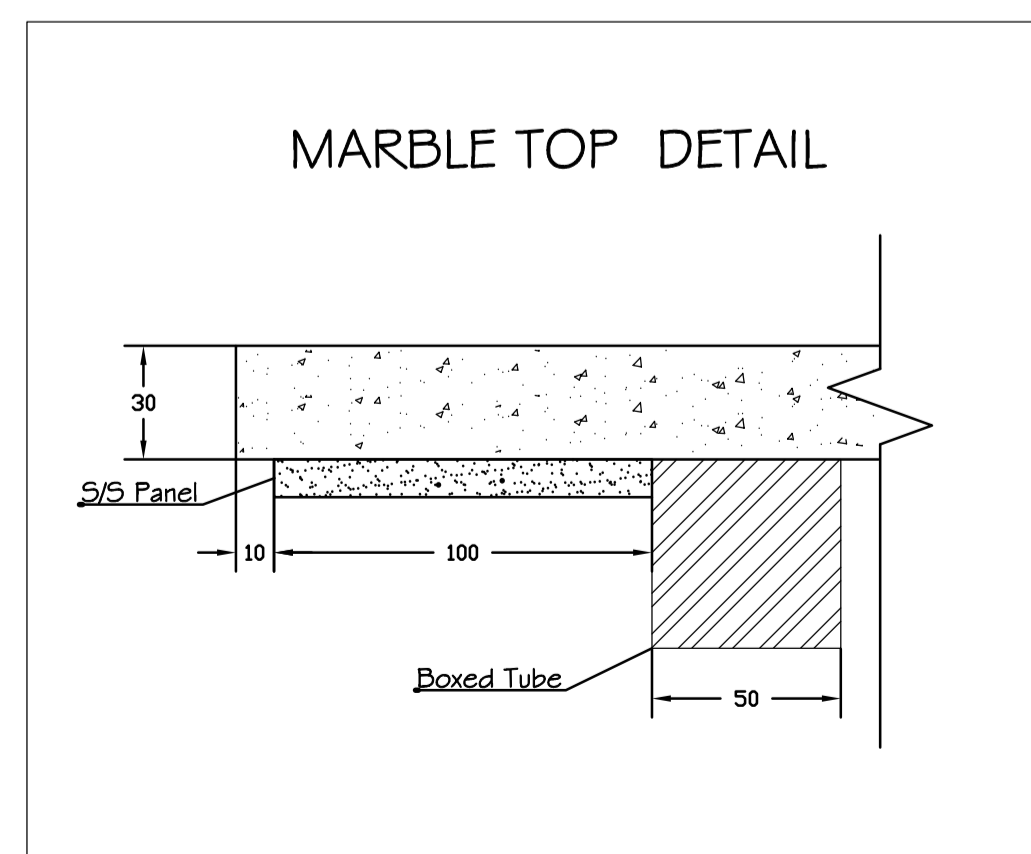
Change from Bullnosed Worktop to Flat Turn Down



Existing Back Counter Profile

B-B SIDE ELEVATION

RECORD DRAWING



**COURT CATERING EQUIPMENT LTD**  
 UNIT 1, ACTON VALE INDUSTRIAL PARK,  
 COWLEY ROAD, LONDON W3 7QE  
 TEL: 020 8746 0808  
 FAX: 020 8746 1116  
 E-mail: projects@courtcatering.co.uk

CLIENT:

PROJECT:  
 RIVER CAFE  
 THAMES WHARF  
 CATERING EQUIPMENT ELEVATION LAYOUT

SCALE: 1:20	PROJECT No: ©
DATE: -	2710429-6
DRAWN: B.M. (CAD)	
PM: A.A.F.	

© COPYRIGHT COURT CATERING EQUIPMENT LTD  
 THIS DRAWING MUST NOT BE REPRODUCED, COPIED,  
 OR SUBMITTED TO THE INSPECTION OF THIRD PARTIES  
 WITHOUT OUR PRIOR PERMISSION.  
 WRITTEN DIMENSIONS TO BE PREFERRED.  
 ALL DIMENSIONS TO BE CHECKED AND VERIFIED ON  
 SITE.  
 ALL RIGHTS RESERVED.