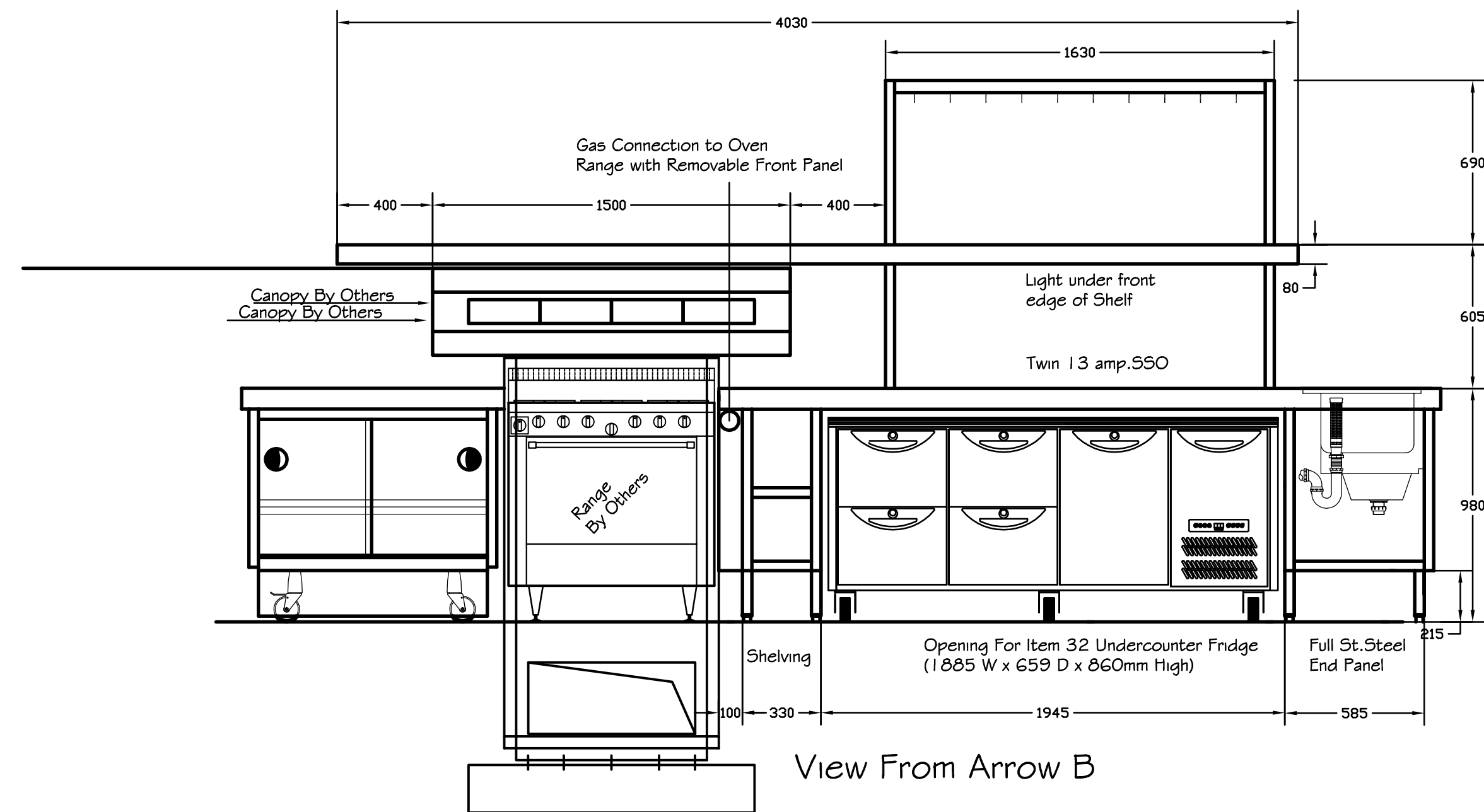


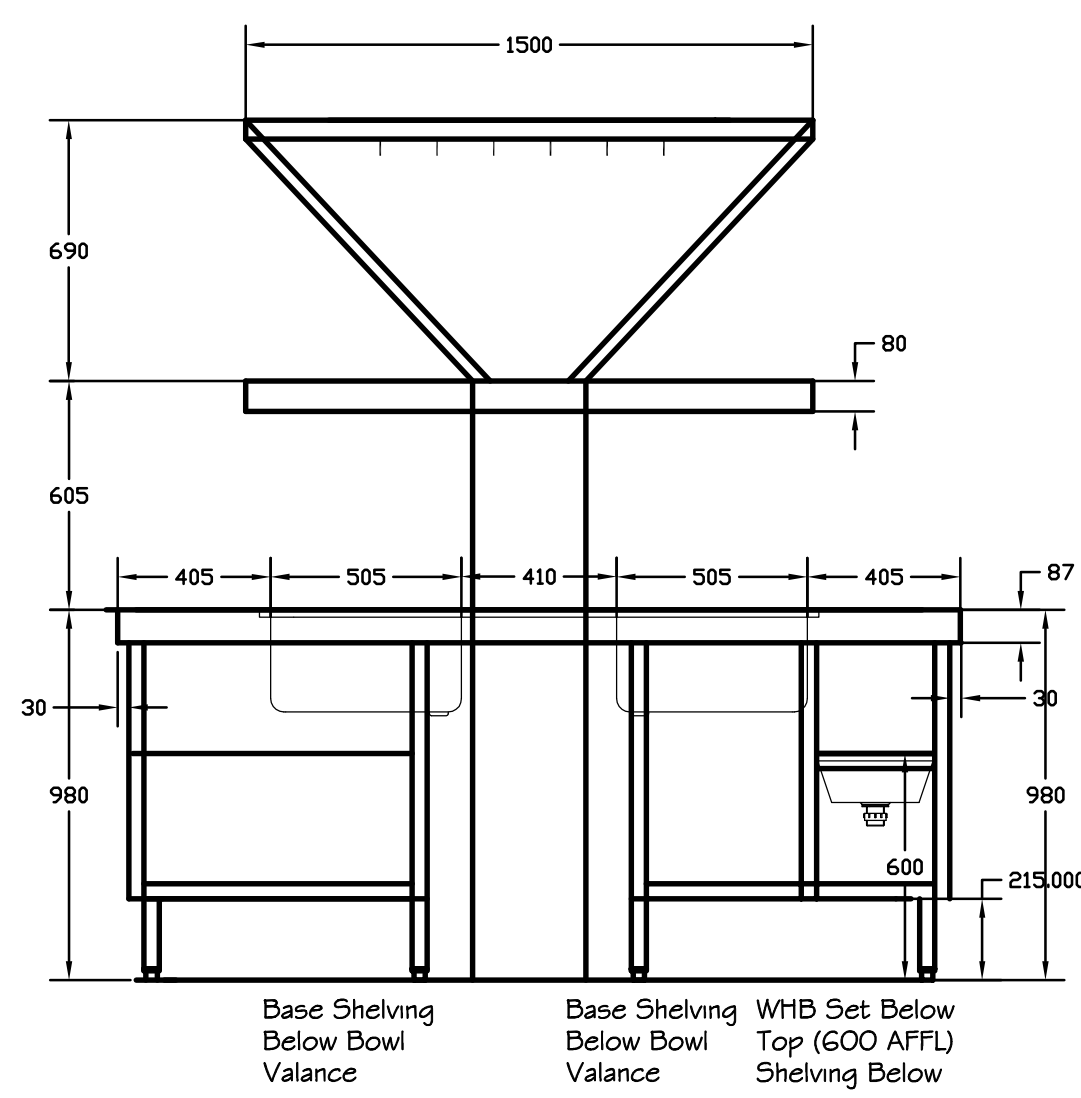
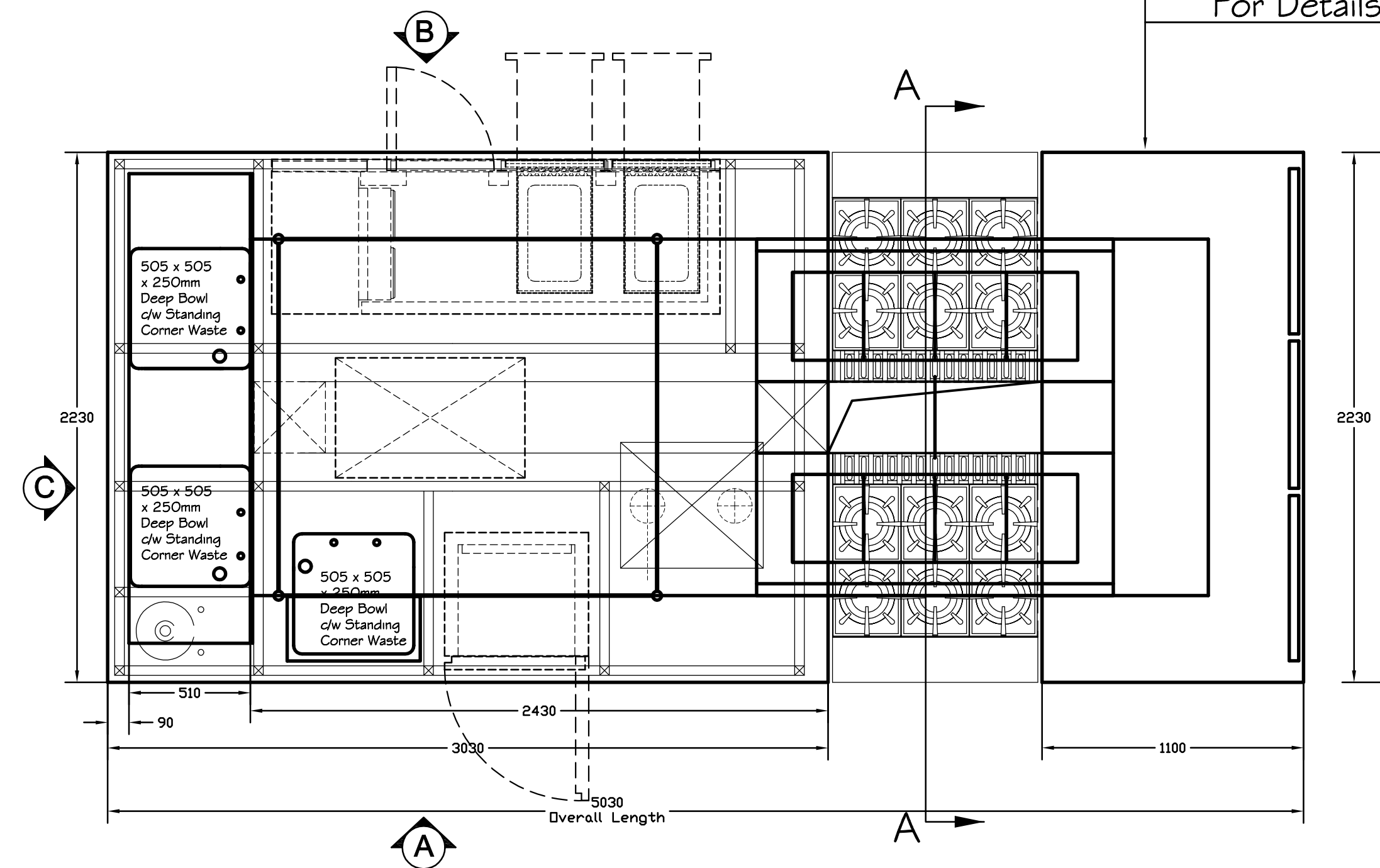
View From Arrow A



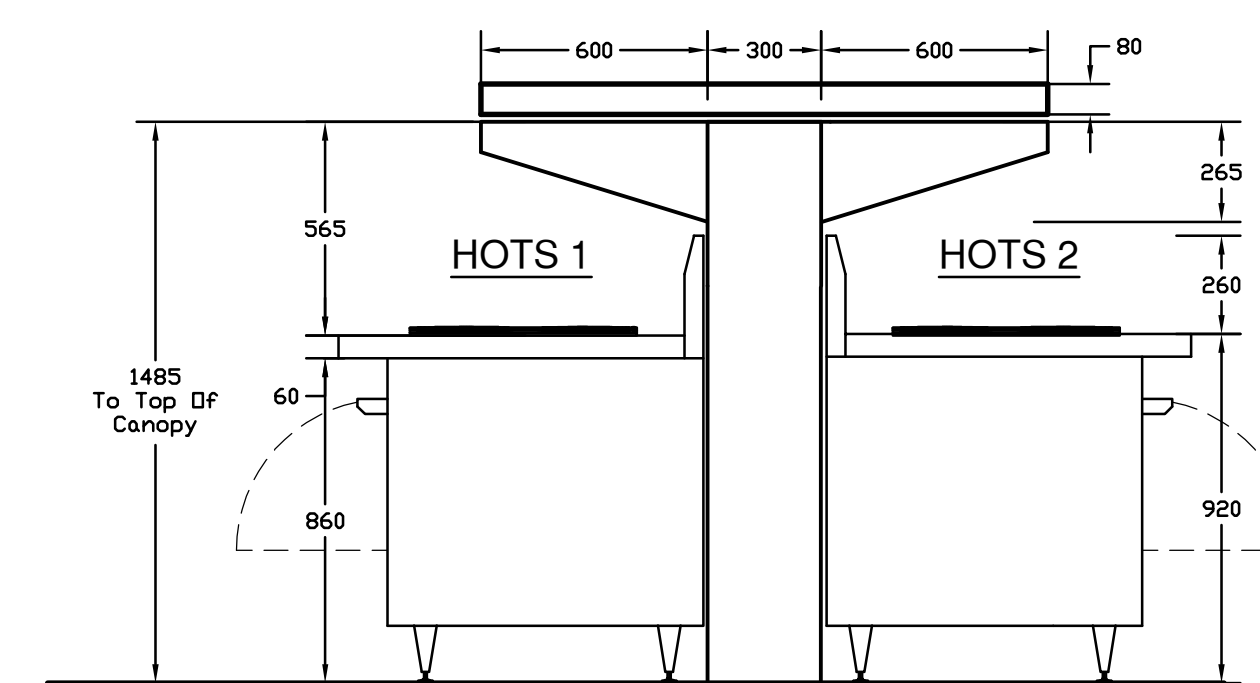
View From Arrow B

NOTE

See Drawing 3679-03  
For Details Of This Unit



View From Arrow C



Section A-A

RECORD DRAWING



COURT CATERING  
EQUIPMENT LTD  
UNIT 1, ACTON VALE INDUSTRIAL PARK,  
COWLEY ROAD, LONDON W3 7QE  
TEL: 020 8746 0808  
FAX: 020 8746 1116  
E-mail: projects@courtcatering.co.uk

CLIENT:  
RIVER CAFE  
PROJECT:  
RIVER CAFE  
THAMES WHARF  
ITEM 35 S/S ISLAND WORKTOP UNIT ELEVATIONS  
AND SECTION LAYOUT

SCALE: 1:20  
DATE: -  
DRAWN: B.M. (CAD)  
PM: A.A.F.

PROJECT No: 2710429-4

© COPYRIGHT COURT CATERING EQUIPMENT LTD  
THIS DRAWING MUST NOT BE REPRODUCED, MULTIPLIED  
OR SUBMITTED TO THE INSPECTION OF THIRD PARTIES  
WITHOUT OUR PRIOR PERMISSION.  
WRITTEN DIMENSIONS TO BE PREFERRED.  
ALL DIMENSIONS TO BE CHECKED AND VERIFIED ON  
SITE.  
ALL RIGHTS RESERVED.

