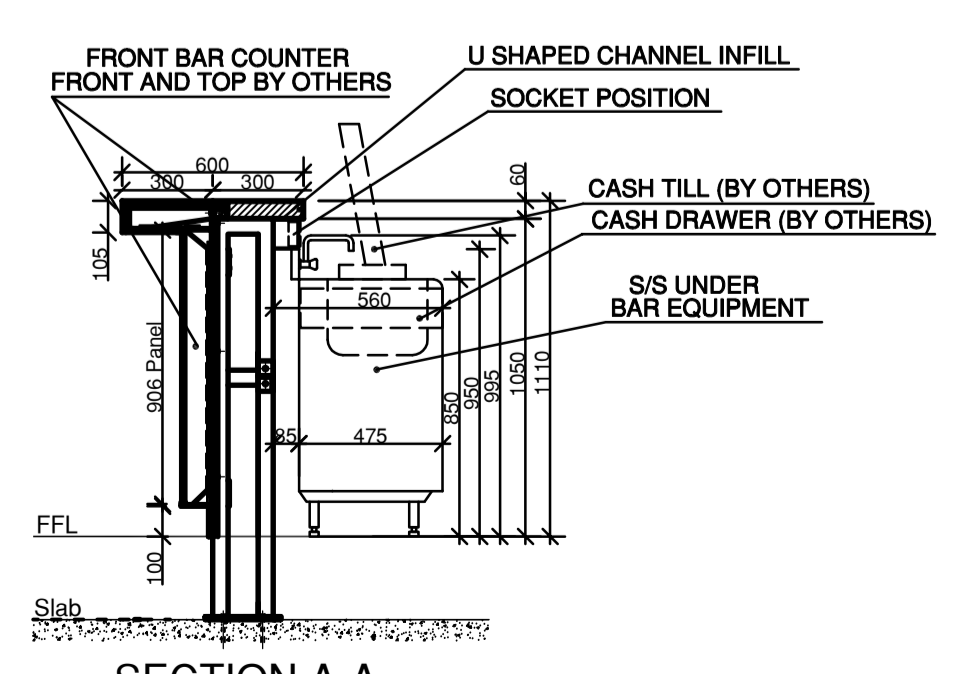
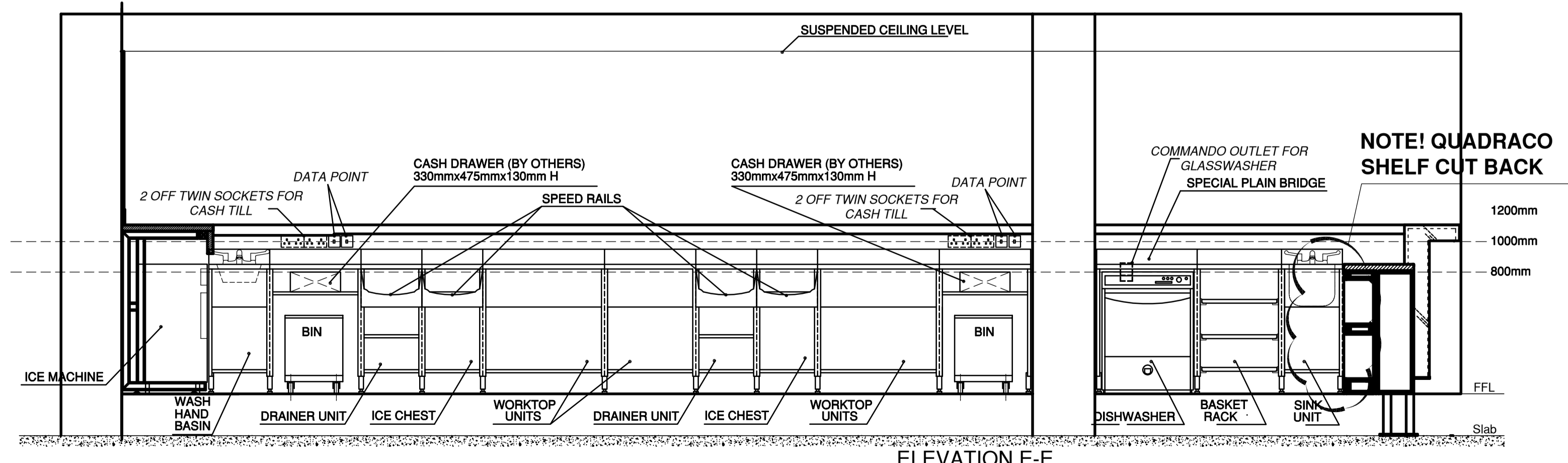
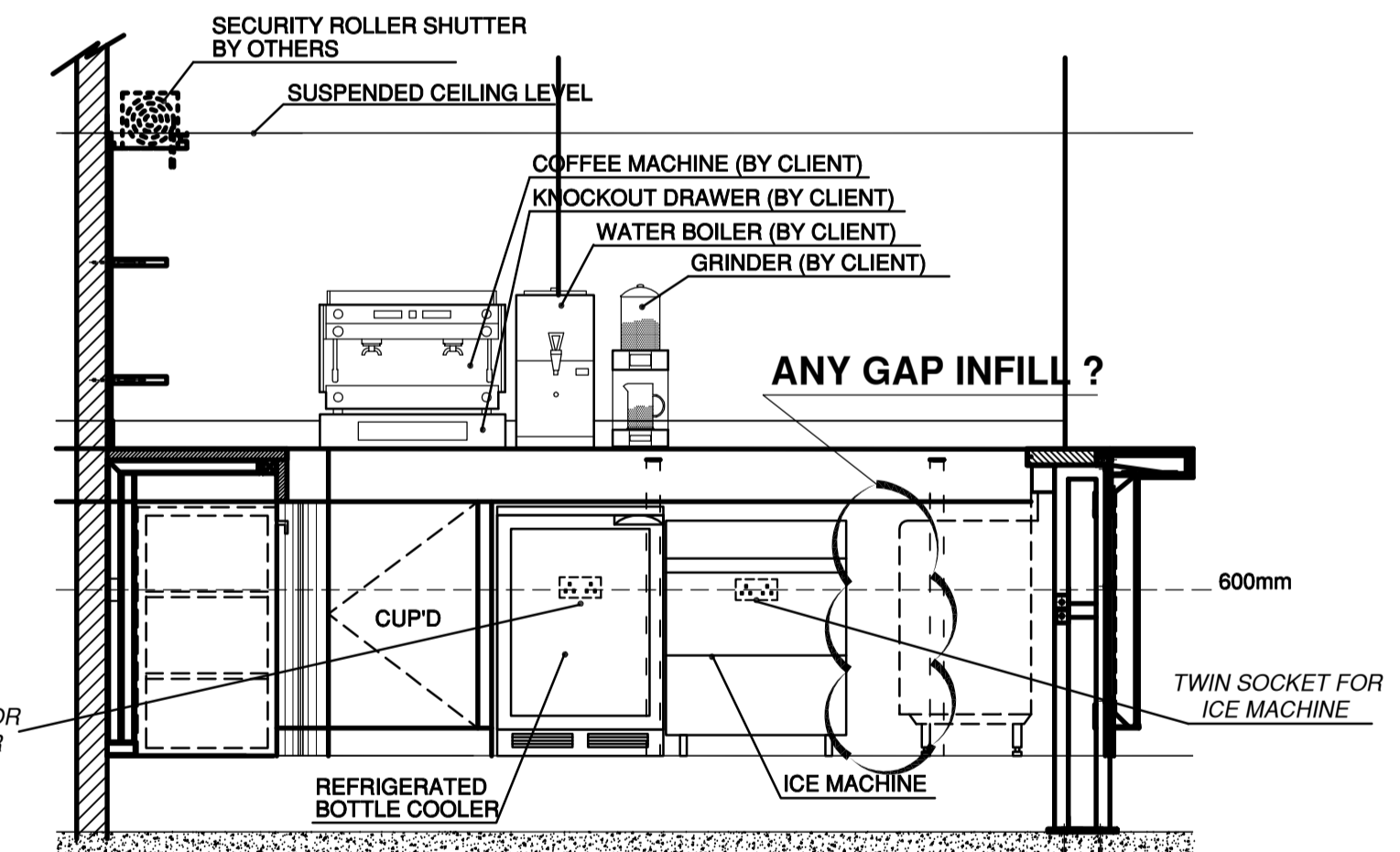
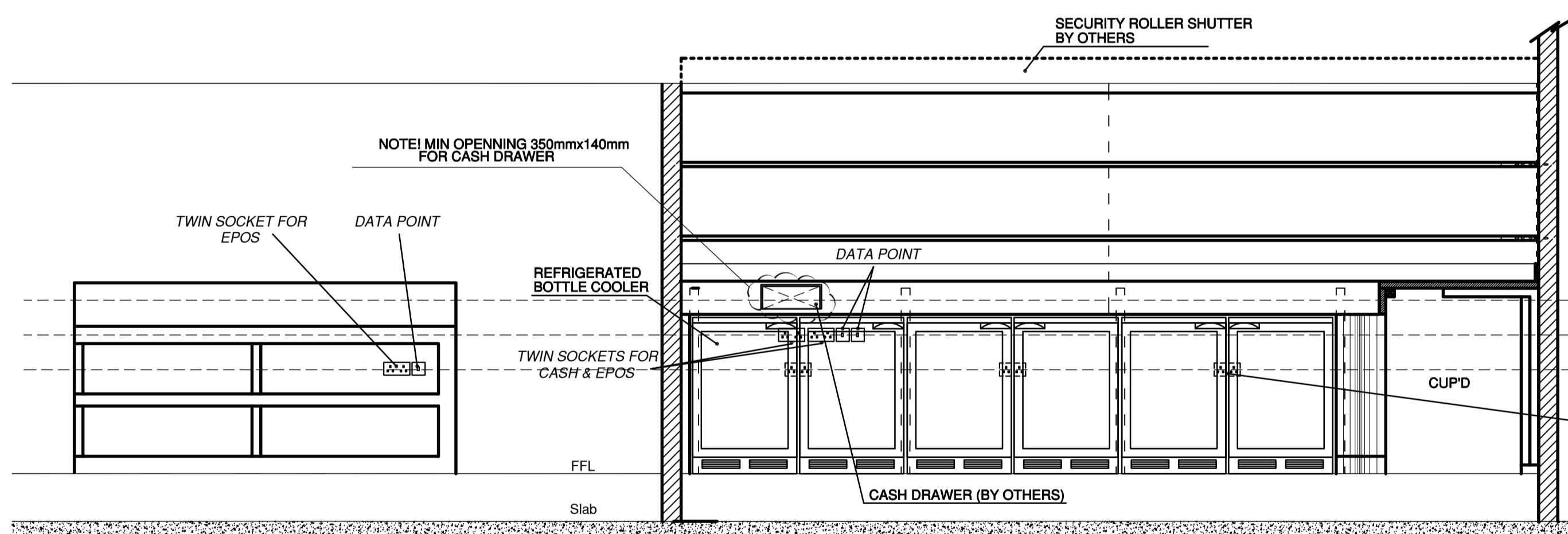
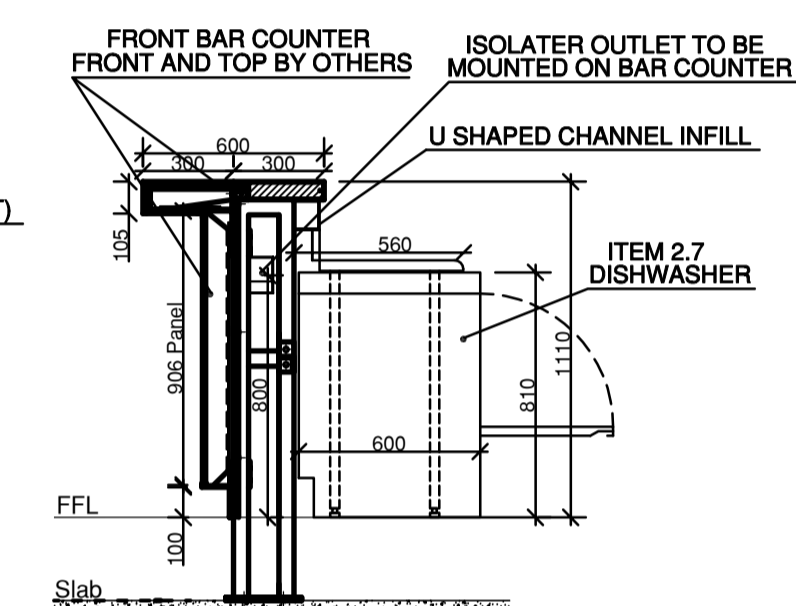
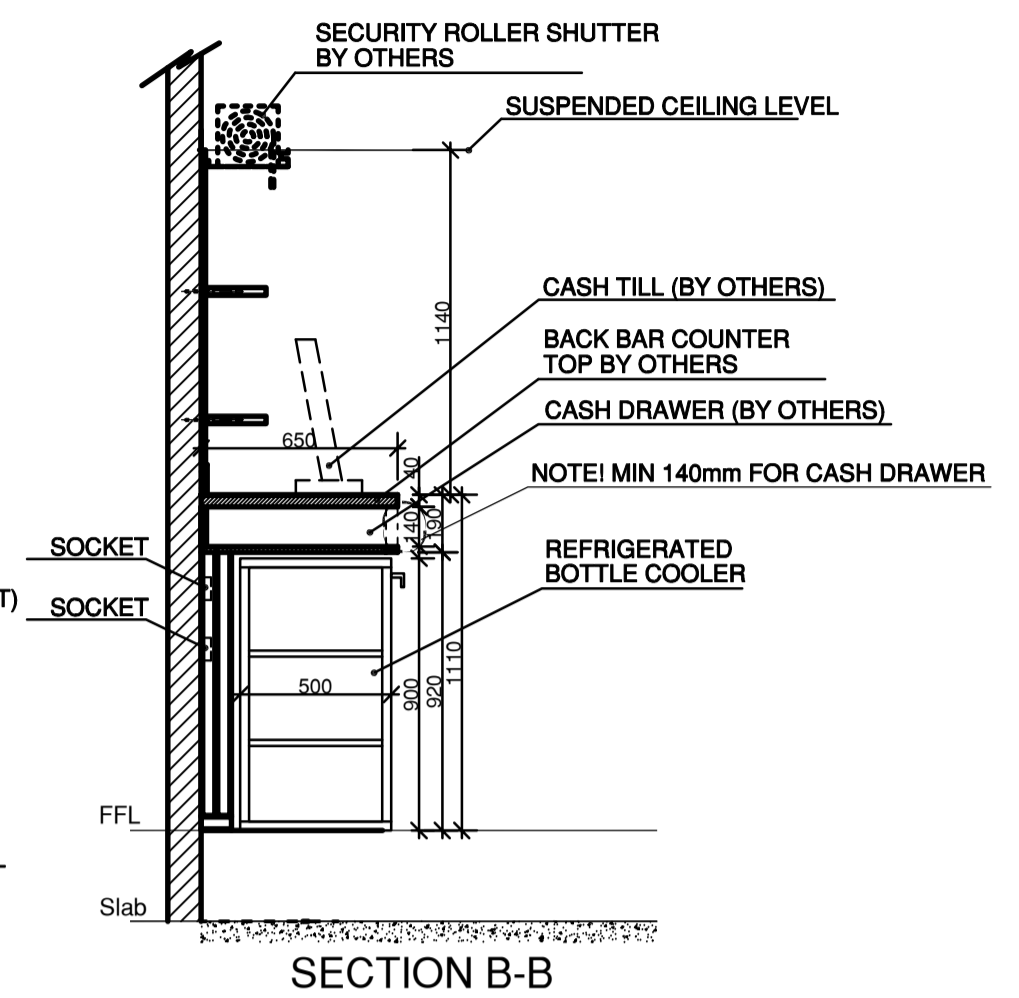
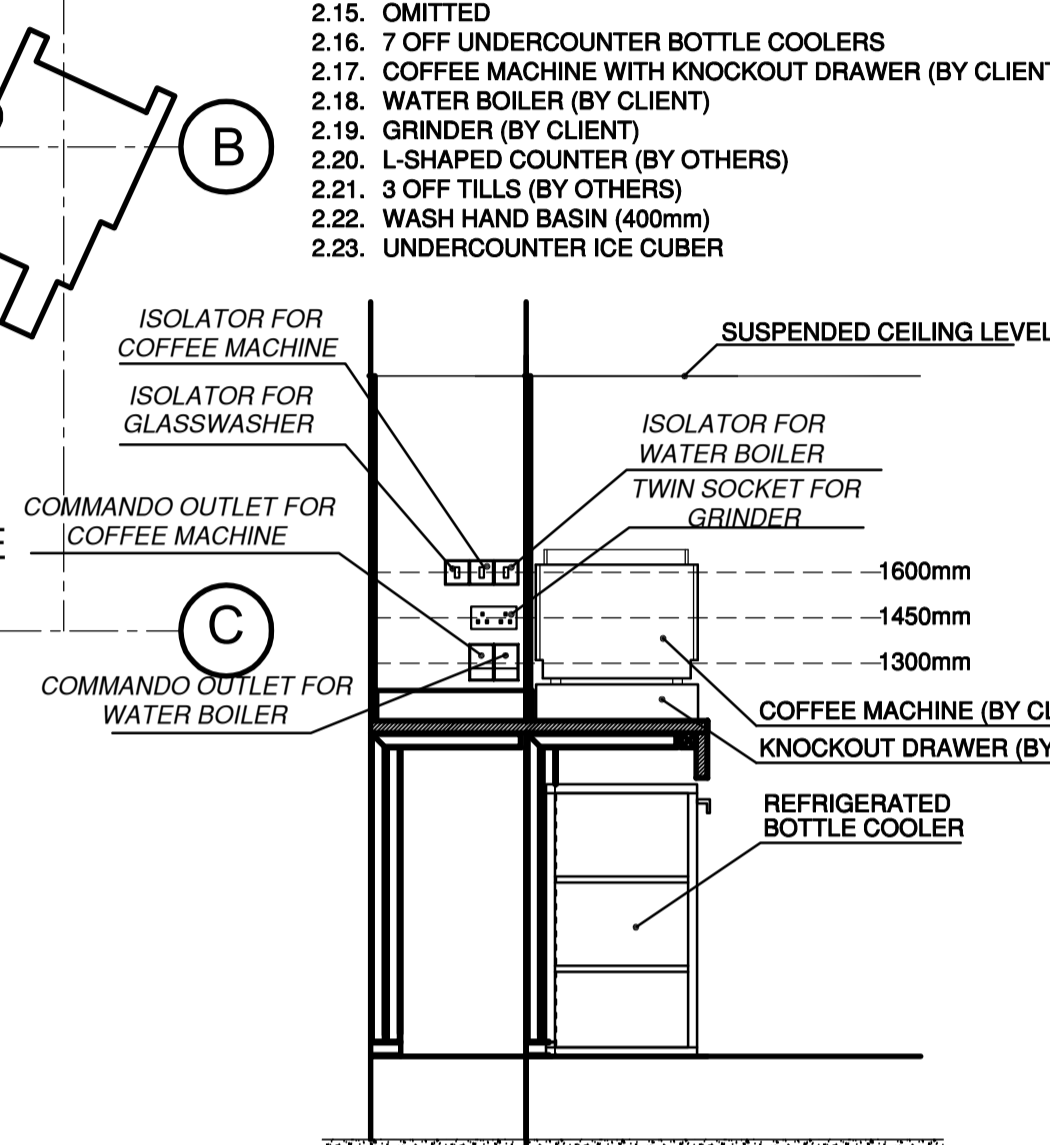


**SCHEDULE OF BAR EQUIPMENT**

- 2.1. BAR TOP COUNTER (BY OTHERS)
- 2.2. OMITTED
- 2.3. OMITTED
- 2.4. SINK UNIT (400mm)
- 2.5. BASKET RACK (555mm)
- 2.6. UNDERCOUNTER GLASSWASHER
- 2.7. SPECIAL PLAIN BRIDGE UNIT (660mm)
- 2.8. 2 OFF WORKTOP UNITS (600mm)
- 2.9. 2 OFF BINS
- 2.10. 2 OFF WORKTOP UNITS (800mm)
- 2.11. 2 OFF ICE CHESTS (400mm)
- 2.12. 2 OFF SPEED RAILS (800mm)
- 2.13. 2 OFF DRAINER UNITS (400mm)
- 2.14. WORKTOP UNIT (600mm)
- 2.15. OMITTED
- 2.16. 7 OFF UNDERCOUNTER BOTTLE COOLERS
- 2.17. COFFEE MACHINE WITH KNOCKOUT DRAWER (BY CLIENT)
- 2.18. WATER BOILER (BY CLIENT)
- 2.19. GRINDER (BY CLIENT)
- 2.20. L-SHAPED COUNTER (BY OTHERS)
- 2.21. 3 OFF TILLS (BY OTHERS)
- 2.22. WASH HAND BASIN (400mm)
- 2.23. UNDERCOUNTER ICE CUBER



**COURT CATERING EQUIPMENT LTD**

UNIT 1, ACTON VALE INDUSTRIAL PARK, COWLEY ROAD, LONDON W3 7QE  
 TEL: 020 8746 0808  
 FAX: 020 8746 1116  
 E-mail: projects@courtcatering.co.uk

CLIENT: **Imperial College London**

PROJECT: IMPERIAL COLLEGE PGES 0700 EASTSIDE GROUND FLOOR FIT-OUT FRONT AND BACK BAR DETAILS LAYOUT

SCALE: 1:25  
 DATE: 21 NOV 2007  
 DRAWN: MM (CAD)  
 PM: AAF

PROJECT No: PGES\_CC\_0006 (2710445-6)

© COPYRIGHT COURT CATERING EQUIPMENT LTD  
 THIS DRAWING MUST NOT BE REPRODUCED, MULTIPLIED OR SUBMITTED TO THE INSPECTION OF THIRD PARTIES WITHOUT OUR PRIOR PERMISSION.  
 WRITTEN DIMENSIONS TO BE PREFERRED.  
 ALL DIMENSIONS TO BE CHECKED AND VERIFIED ON SITE.  
 ALL RIGHTS RESERVED.

LAYOUT SUBJECT TO ALL LOCAL AUTHORITY APPROVALS AND DETAILED FINISHED SITE DIMENSION CHECK